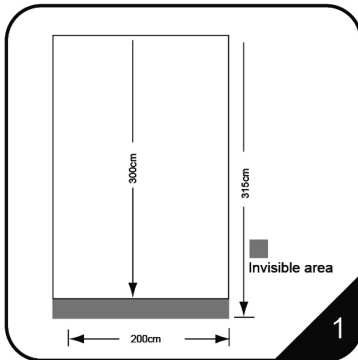
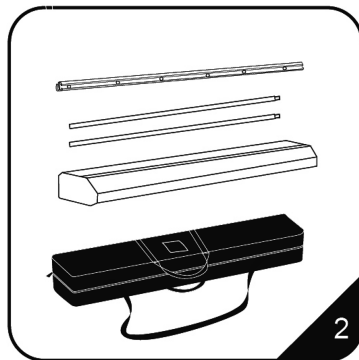


# Roll banner XXL

## Instructions

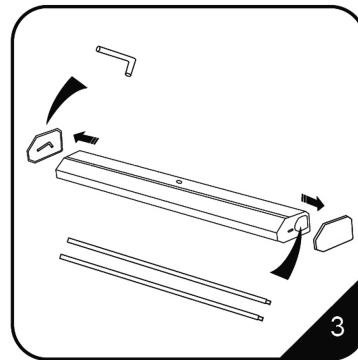


1



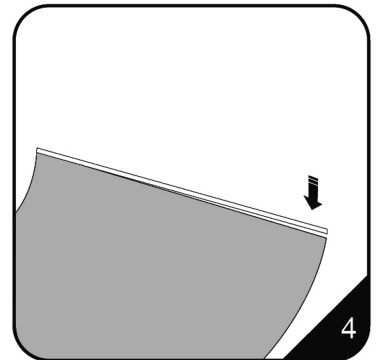
2

2. The case should contain a base unit, two telescopic poles and upper banner.



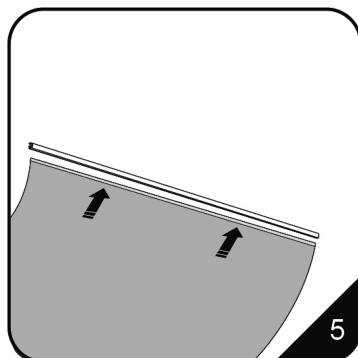
3

3. Peel off the cover. You'll get a screwdriver in the cover and two telescopic poles in the base unit.



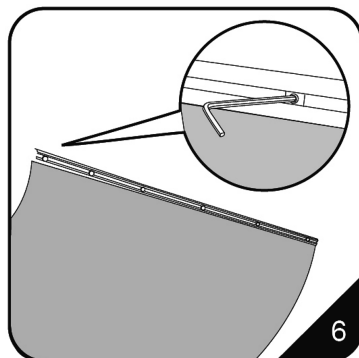
4

4. Paste aluminium bars one by one upon the upper and down edges of the graphic.



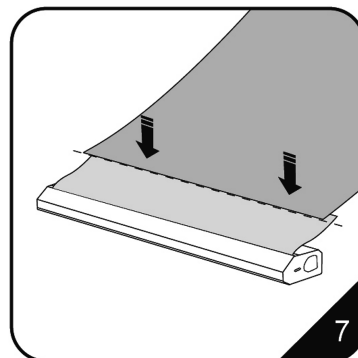
5

5. Insert the aluminum bars into the attachment beam.



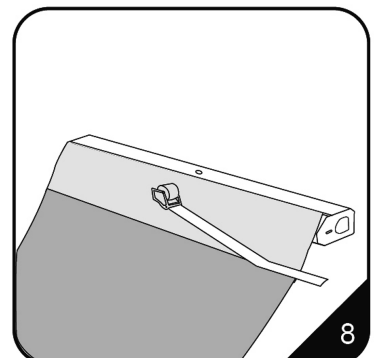
6

6. Make sure all the screws have been swung out, as the pic show.



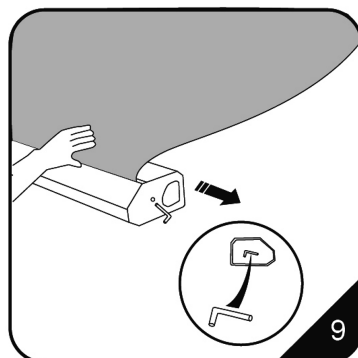
7

7. Peel off the adhesive cover along the edge of the base's leader roll, and attach the bottom of the banner (front facing up).



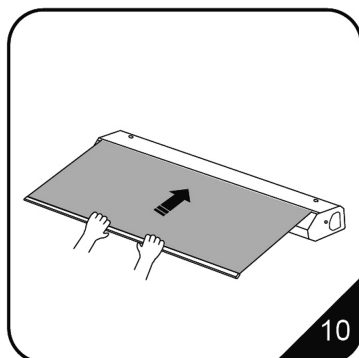
8

8. Finish securing the banner to the leader with a strip of wide packing tape along the inside of the edge.



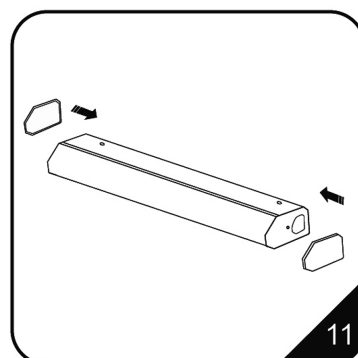
9

9. Peel off the cover, remove the screw underneath the chrome end of the base and detach. Then, with the graphic held firmly, carefully pull out the retaining pin, then put it into the cover.



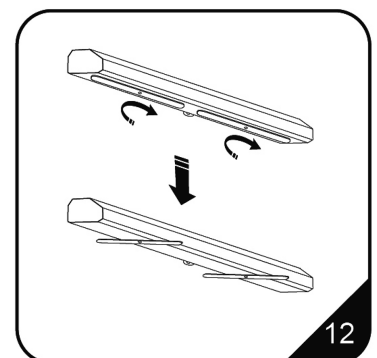
10

10. Carefully allow the graphic to recoil into the base unit (it may be useful to have an assistant hold the base steady).



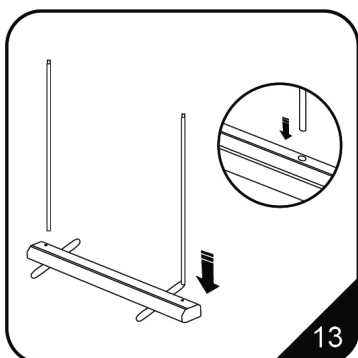
11

11. Reattach the chrome ends.



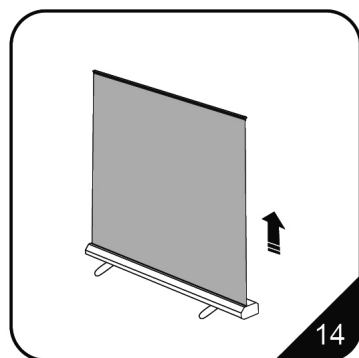
12

12. Two revolving feet to strengthen stability.



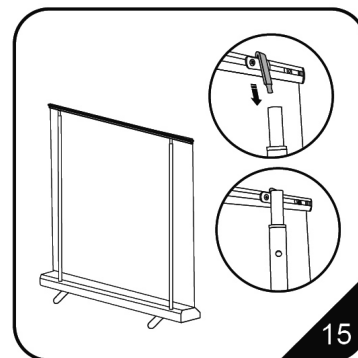
13

13. The bottom of the assembled pole slides into the round socket in the base unit.



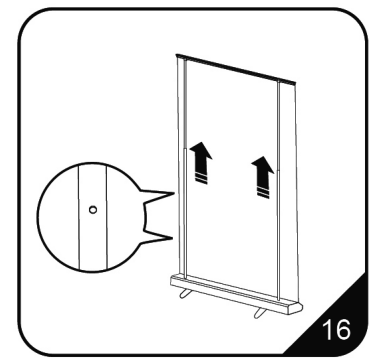
14

14. Unfurl the banner out of the base, suggest handling by two persons.



15

15. Insert hook into pole on top.



16

16. Raise the upper pole.